

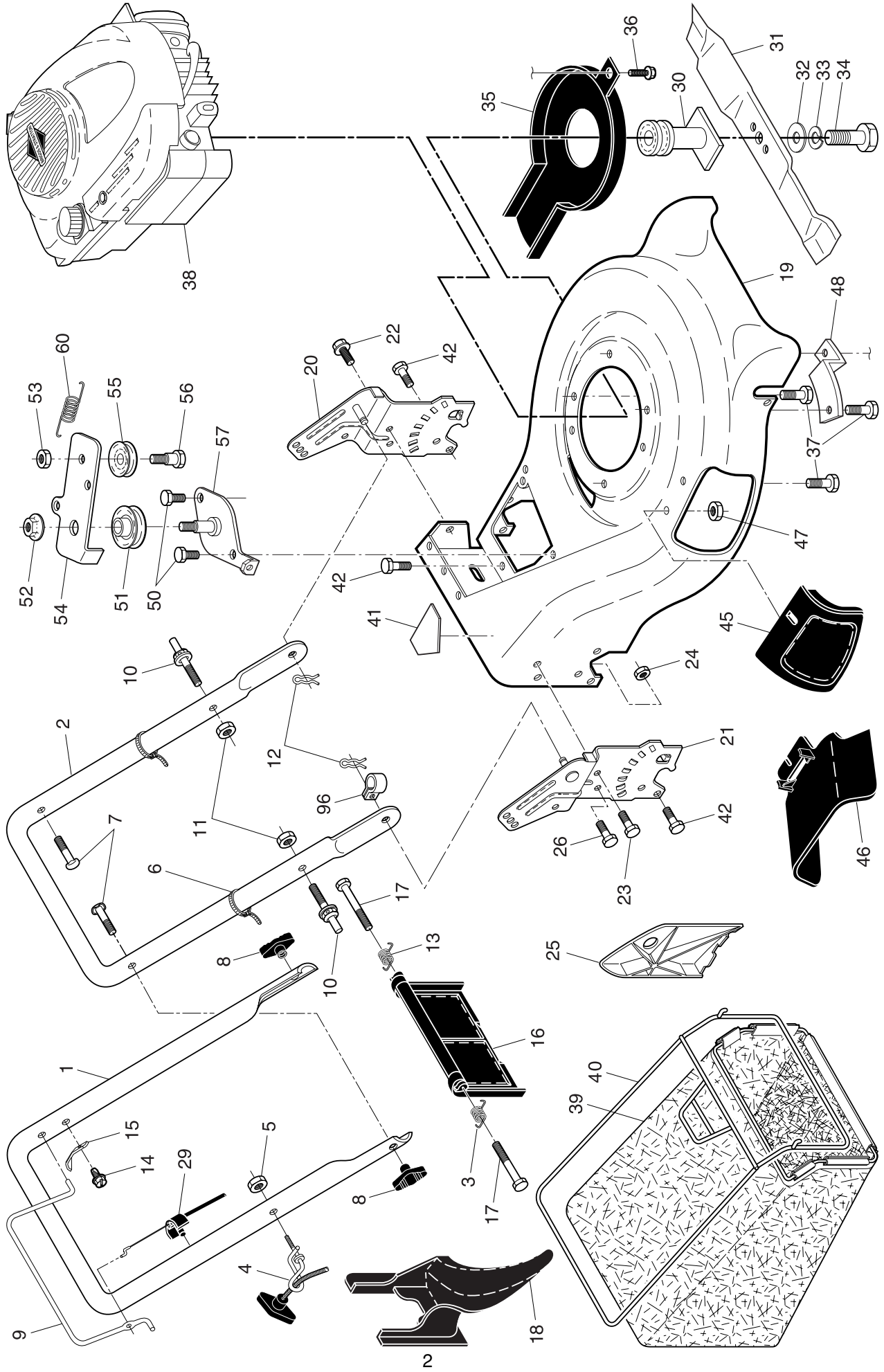
ILLUSTRATED PARTS LIST

MODEL NUMBER PP6753RD

PRODUCT NUMBER 961 41 01-18

MFG. ID. NUMBER 96141011800

ROTARY LAWN MOWER - - MODEL NUMBER PP6753RD (96141011800) PRODUCT NUMBER 961 41 01-18

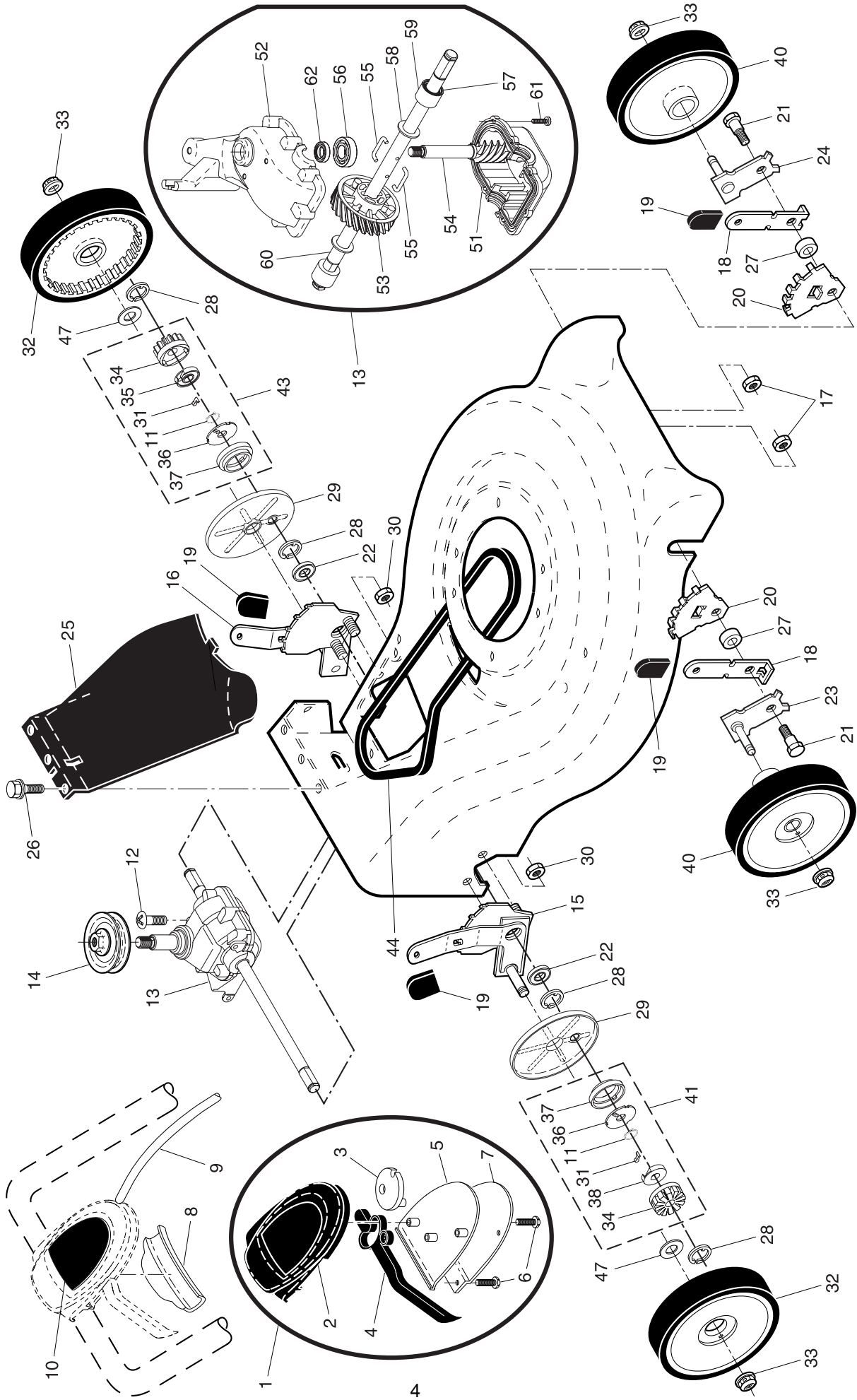


ROTARY LAWN MOWER - - MODEL NUMBER PP6753RD (96141011800) PRODUCT NUMBER 961 41 01-18

KEY NO.	PART NO.	DESCRIPTION	KEY NO.	PART NO.	DESCRIPTION
1	532 40 30-71	Handle, Upper	32	532 85 10-74	Washer
2	532 19 60-05	Handle, Lower	33	532 85 02-63	Washer, Lock
3	532 18 60-53	Spring, Rear Door, RH	34	532 85 10-84	Bolt, Hex Head
4	532 19 47-88	Rope Guide	35	532 18 87-86	Debris Shield
5	532 13 20-04	Nut, Hex, with Lockwasher Insert 1/4-20	36	532 19 23-25	Bolt
6	532 06 64-26	Wire, Tie	37	532 15 04-06	Bolt, Engine
7	532 19 15-74	Bolt, Handle 5/16-18 x 2-5/8	38	---	Engine, Briggs & Stratton, Model No. 124K02 (order parts from Engine manufacturer)
8	532 19 19-38	Knob, Handle			
9	532 40 29-32	Control Bar	39	532 40 21-07	Grassbag
10	532 18 88-21	Bolt, Carriage	40	532 19 46-44	Frame, Grassbag
11	873 93 05-00	Nut, Hex 5/16-18	41	532 18 21-66	Danger Decal
12	532 05 17-93	Cotter, Hairpin	42	532 05 45-83	Screw
13	532 18 60-52	Spring, Rear Door, LH	45	532 19 13-41	Mulcher Door Assembly
14	532 75 06-34	Screw	46	532 19 12-10	Discharge Deflector
15	532 12 51-62	Bracket, Upstop	47	532 08 83-49	Nut, Hex
16	532 19 05-74	Kit, Rear Door (Includes Springs)	48	532 19 09-39	Mounting Bracket, Debris Shield
17	532 18 41-93	Bolt, Rear Door	50	532 05 78-08	Screw
18	532 19 81-70	Plug, Mulcher	51	532 19 37-91	Pulley, Idler
19	532 40 47-72	Kit, Housing	52	532 14 52-12	Flanged Nut
20	532 40 32-96	Handle Bracket Assembly, LH	53	532 15 55-52	Locknut
21	532 40 32-97	Handle Bracket Assembly, RH	54	532 19 68-12	Idler Arm
22	532 15 00-78	Screw, Hex Washer Head	55	532 16 60-43	Idler Pulley
23	532 16 31-83	Nut, Hex Head 5/16-18 x 5/8	56	532 16 08-29	Shoulder Bolt
24	873 80 05-00	Nut, Hex, with Lockwasher Insert 5/16-18	57	532 19 33-15	Bracket Assembly
25	532 16 13-33	Baffle, Side	60	532 18 22-26	Spring, Return
26	532 16 34-09	Screw #12 x 5/8	96	532 19 79-91	Clip, Cable
29	532 19 12-21	Cable, Operator Presence	--	532 18 21-34	Warning Decal (not shown)
30	532 18 91-79	Blade Adapter / Pulley	--	532 40 33-65	Operator's Manual, European
31	532 19 93-77	Blade, 21"	--	532 40 33-63	Operator's Manual, Scandinavian

NOTE: All component dimensions given in U.S. inches. 1 inch = 25.4 mm. **IMPORTANT:** Use only Original Equipment Manufacturer (O.E.M.) replacement parts. Failure to do so could be hazardous, damage your lawn mower and void your warranty.

ROTARY LAWN MOWER - - MODEL NUMBER PP6753RD (96141011800) PRODUCT NUMBER 961 41 01-18



ROTARY LAWN MOWER - - MODEL NUMBER PP6753RD (96141011800) PRODUCT NUMBER 961 41 01-18

KEY NO.	PART NO.	DESCRIPTION	KEY NO.	PART NO.	DESCRIPTION
1	532 19 59-89	Drive Control Assembly (Includes Cable)	28	812 00 00-58	E-Ring 7/16
2	532 19 57-45	Cover, Top	29	532 18 94-03	Cover, Dust, Wheel
3	532 18 73-53	Pulley	30	873 80 04-00	Nut, Hex
4	532 18 82-81	Lever, Drive Control	31	532 17 50-98	Pawl
5	532 19 57-44	Cover, Bottom	32	532 40 31-11	Wheel & Tire Assembly, Rear 8 x 1-3/4
6	532 18 16-98	Screw	33	532 08 39-23	Nut, Flangelock 3/8-16
7	532 40 07-23	Mounting Bracket	34	532 17 51-03	Gear
8	532 18 49-87	Cap, Bottom	35	532 17 51-05	Retainer, Drive, LH
9	532 19 60-02	Cable, Drive	36	532 17 51-04	Disc, Drive
10	532 40 44-46	Decal, Drive Control	37	532 18 41-72	Seal, Friction
11	532 18 82-91	Spring, Torsion	38	532 17 51-02	Retainer, Drive, RH
12	532 18 76-53	Screw	40	532 40 31-14	Wheel & Tire Assembly, Front 8 x 1-3/4
13	532 19 33-54	Gear Case Assembly, Complete	41	532 18 83-30	Pinion Assembly, RH
14	532 19 34-43	Pulley, Drive	43	532 18 83-31	Pinion Assembly, LH
15	532 19 72-35	Kit, Wheel Adjuster Assembly, RH (Includes Knob and Bearing)	44	532 18 36-88	V-Belt
16	532 19 72-34	Kit, Wheel Adjuster Assembly, LH (Includes Knob and Bearing)	47	532 06 77-25	Washer
17	532 16 67-85	Nut, Hex	51	532 18 75-30 *	Case, Lower
18	532 16 85-99	Spring, Selector	52	532 18 75-31 *	Case, Upper
19	532 70 10-37	Knob, Selector Spring	53	532 18 75-32	Gear, 24 Teeth
20	532 16 57-04	Bracket, Wheel Adjusting	54	532 18 75-33	Shaft, Input
21	532 16 08-28	Bolt, Shoulder, Hex Head	55	532 18 35-05	Wire, Formed
22	532 16 99-11	Bearing, Ball	56	532 18 35-06	Bearing, Ball
23	532 18 92-78	Axle Arm Assembly, RH	57	532 18 35-08	Seal, Output Shaft
24	532 18 92-77	Axle Arm Assembly, LH	58	532 18 35-09	Washer
25	532 40 07-83	Cover Drive	59	532 18 35-11	Bushing
26	532 75 06-34	Screw, Threaded, Rolled #10-25 x .50	60	532 19 73-85	Shaft, Output
27	532 18 39-01	Spacer	61	532 18 35-13	Screw
			62	532 18 35-14	Seal, Input Shaft

* Use Dow Corning #709 to reseal Gear Case Halves.

NOTE: All component dimensions given in U.S. inches. 1 inch = 25.4 mm. **IMPORTANT:** Use only Original Equipment Manufacturer (O.E.M.) replacement parts. Failure to do so could be hazardous, damage your lawn mower and void your warranty.